

PIXIS Outline Drawings

NOTE: Dimensions are in inches.

PIXIS Camera: C-mount

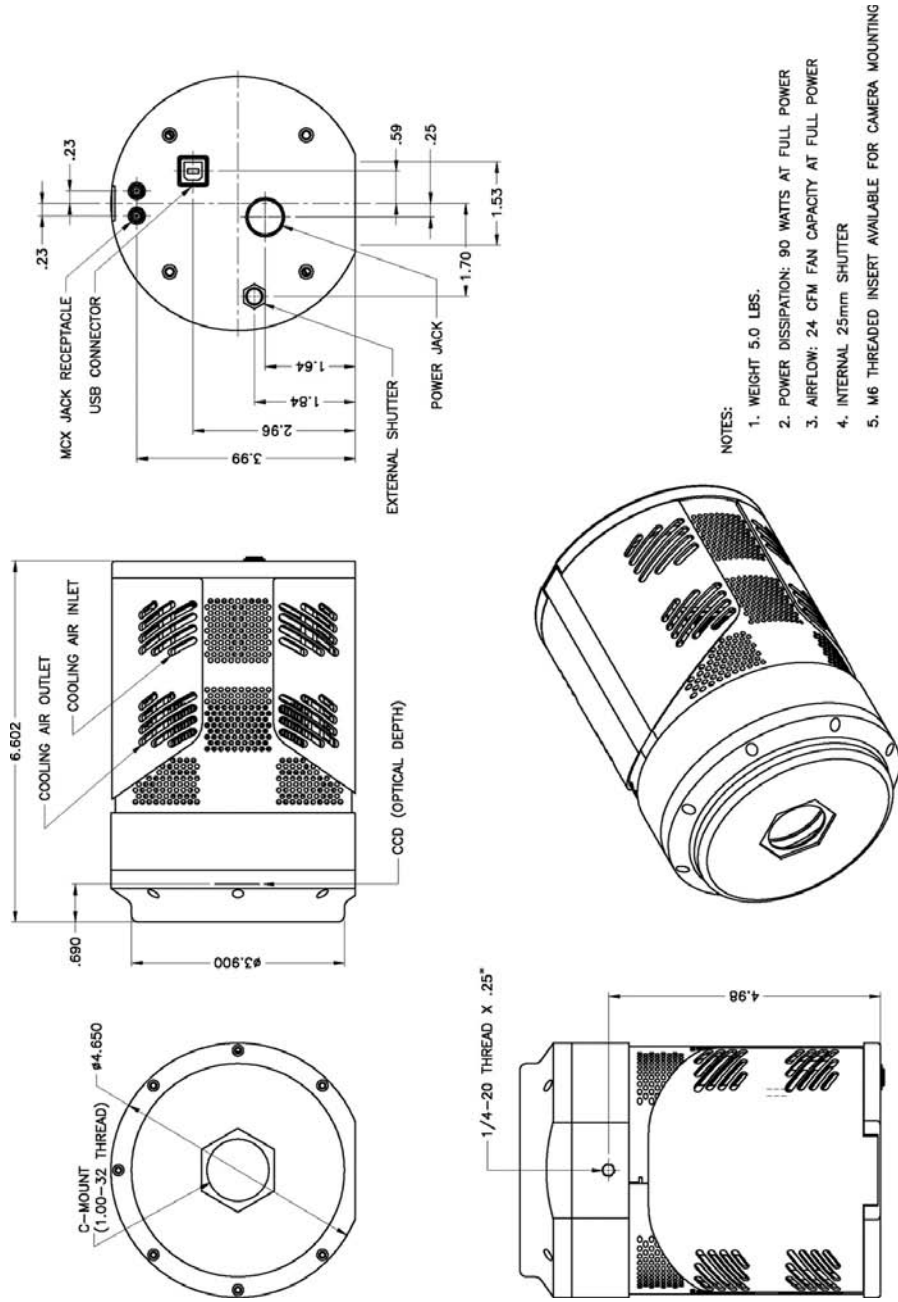


Figure 30. C-Mount

PIXIS Camera: Spectroscopy mount

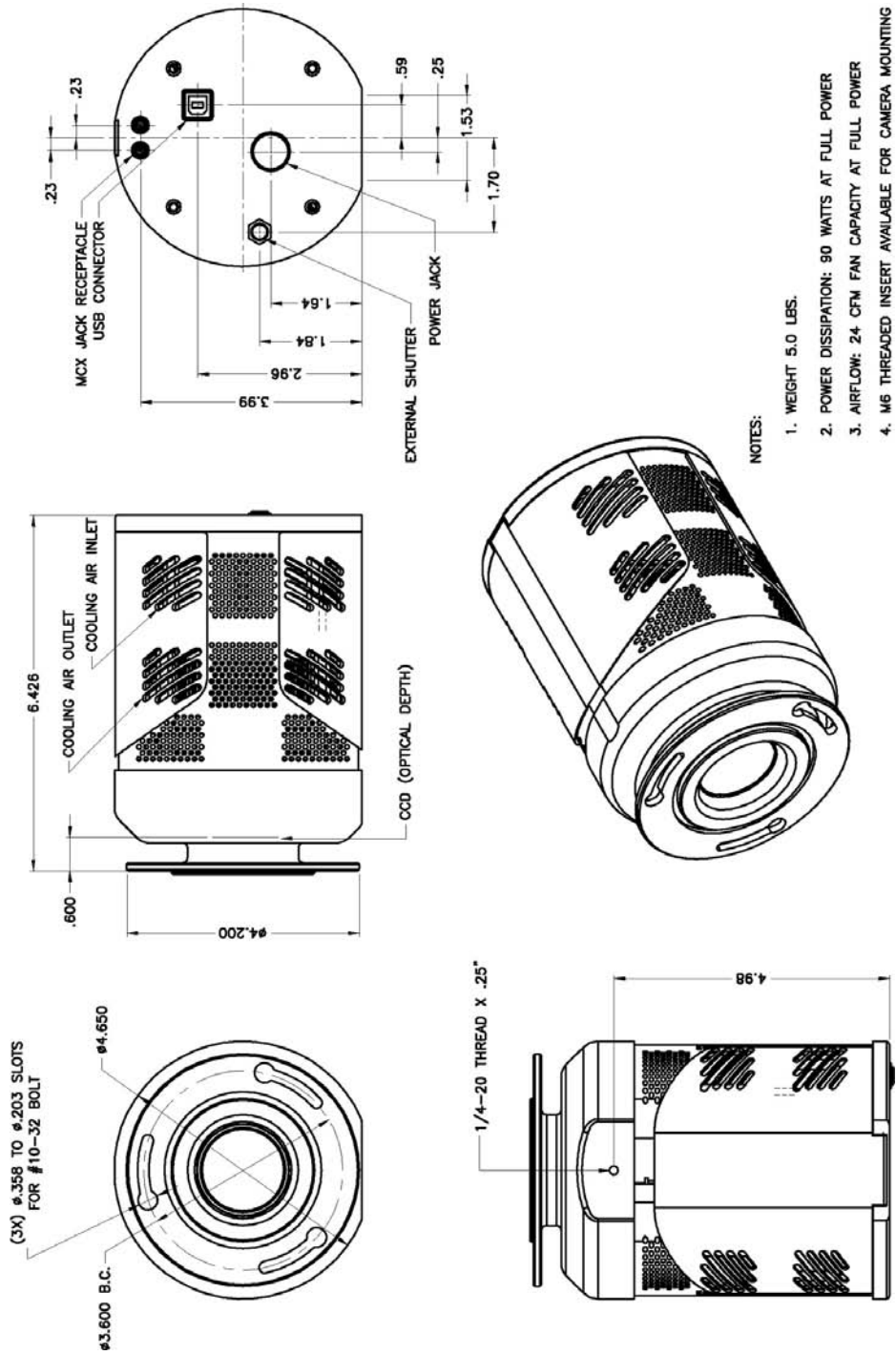


Figure 31. Spectroscopy-Mount (3.60 bolt circle)

